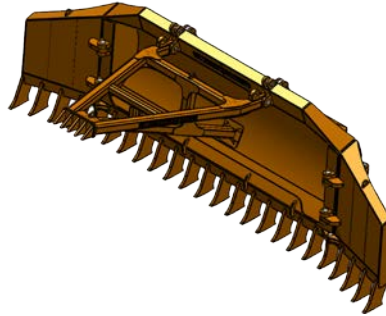




Phone: 1800 074 466
 Fax: 07 3363 8998
 601 Boundary Road
 Richlands 4076 QLD
www.southerntool.com.au

One Phone Call. One Company. One Solution



Bi-Folding Stick Rake & Tree Pusher to suit CAT D6T D6R XL VPAT Blade - Attachment Specifications	
Weight:	3655 kg
Full Open Width:	6182mm (20.30ft)
Wings Closed Width:	4100mm (13.5ft)
Blade Opening:	3892mm
Tree Pusher Length:	2644mm
Tyne Spacing:	266mm
Steel Grade:	Manufactured to Australian specifications from 400-450 grade high tensile steel
Features:	Wing bi-fold design enables easy transport, stands on its own with swing down legs, easy bolt-on installation with minimal welding required

