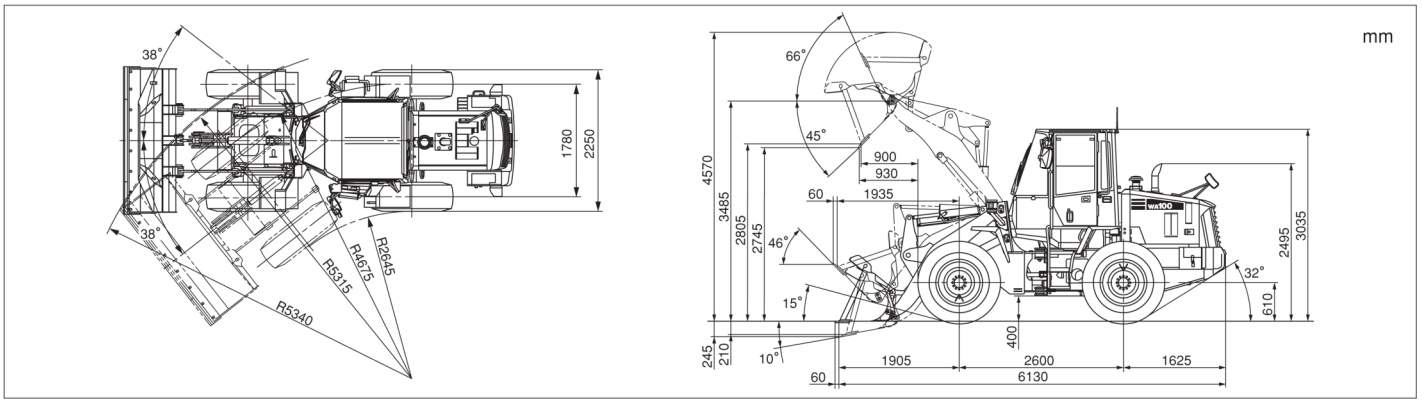


Dimensions & Performance Figures



Specifications

Model	Wa-100-6
Engine model	Komatsu SAA4D95LE-5-A
Operating Weight	7270 kg
Engine power (JIS D0006-1)	73.1kW (99.4HP)
Bucket capacity (With BOC)	1.3 m ³
Lifting capability	2280 kg
Tire size	16.9-24-10PR

PERFORMANCE	Speed Range	1 SP FWD/BWD	0~8.0 (13.0) km/h
		2 SP FWD/BWD	0~13.0 km/h
		3 SP FWD/BWD	0~20.0 km/h
		4 SP FWD/BWD	0~33.0 km/h
	Maximum climbing	25°	
	Steering angle to either side	38° (Stop at 40°)	
	Minimum rotation radius	4675 mm	
	Maximum Dig	61.8 kN / 6300 kg	
	Arm Raise time	5.4 sec	
	Arm Lowering time (empty)	3.0 sec	
Dumping time	1.1 sec		

DIMENSION	Overall Length	6190 mm
	Overall Width (with Bucket)	2340 mm
	Overall Height	3035 mm
	Dump Height @ 45°	2745 mm
	Reach @ 45°	930 mm
ENGINE	Model	3.0 sec
	Type	Turbo, Direct injection
	Horsepower Gross	74.2kW / 101HP
	Horsepower Net	70.9kW / 96.4HP
	Rated rpm	2200 rpm
TRANS	Displacement	3260 cc
	Type	HST
	Transfer method	Manual transmission
BRAKES	Service brakes	Hydraulically-actuated, wet disc brakes actuate on 4 wheels.
	Parking brake	Wet, multi-disc brake on transfer output shaft
SERVICE	Fuel Tank	133 L
	Engine	12 L

 www.southerntool.com.au
GO ONLINE TO SEE ALL OUR PRODUCTS

 www.usedexcavators.com.au
GO ONLINE TO SEE ALL OUR PRODUCTS

SOUTHERN
TOOL + EQUIPMENT 